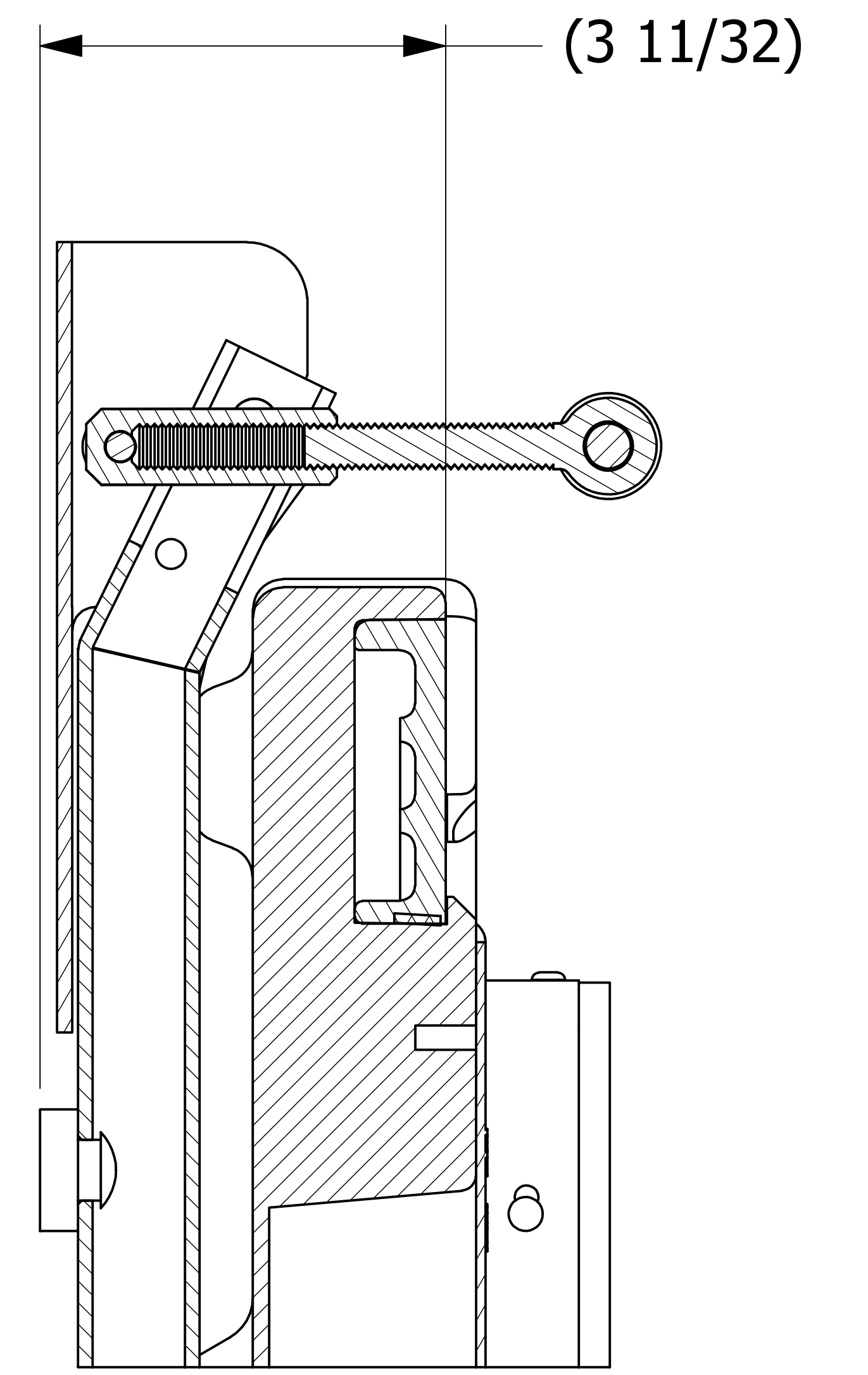
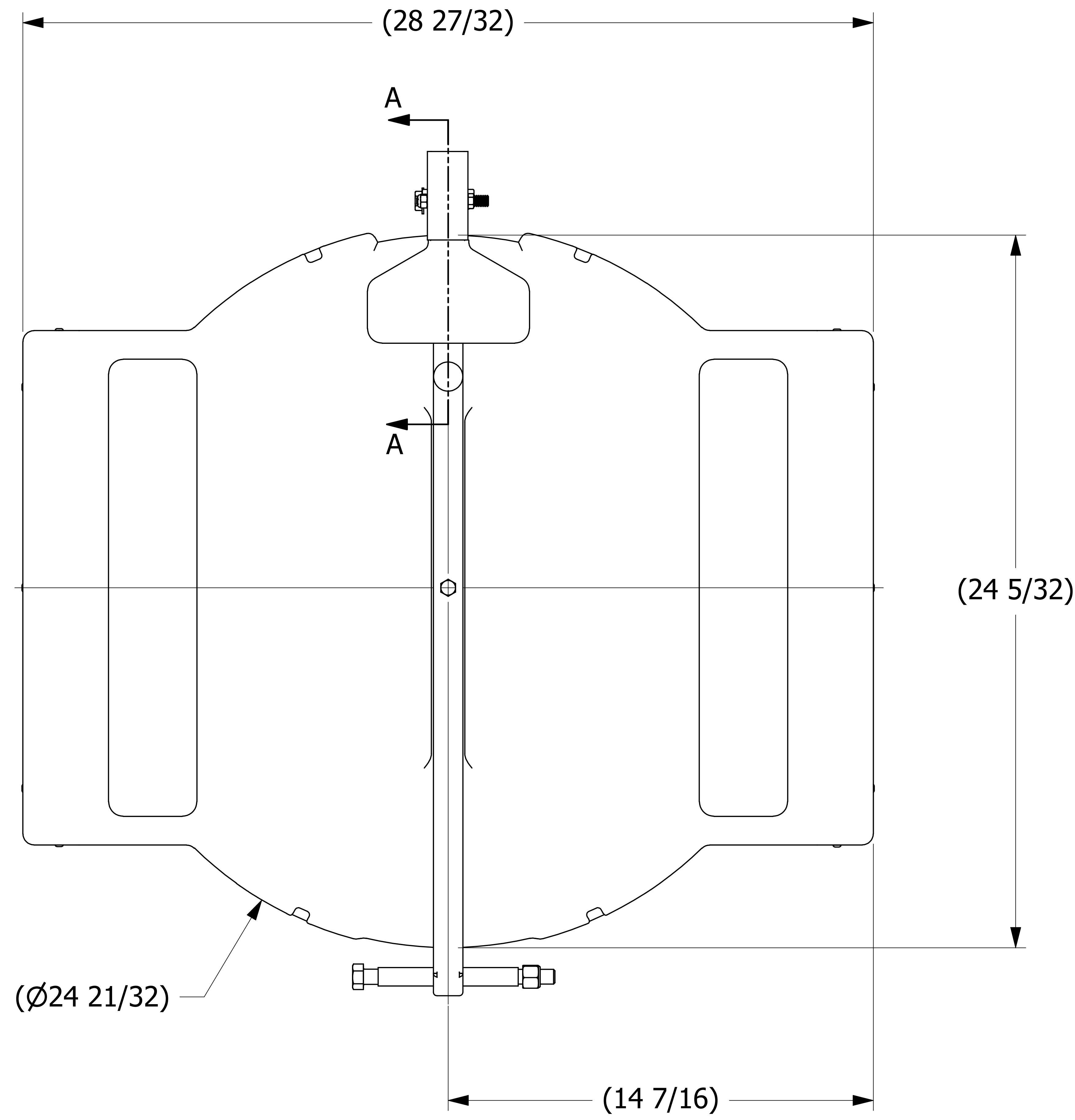
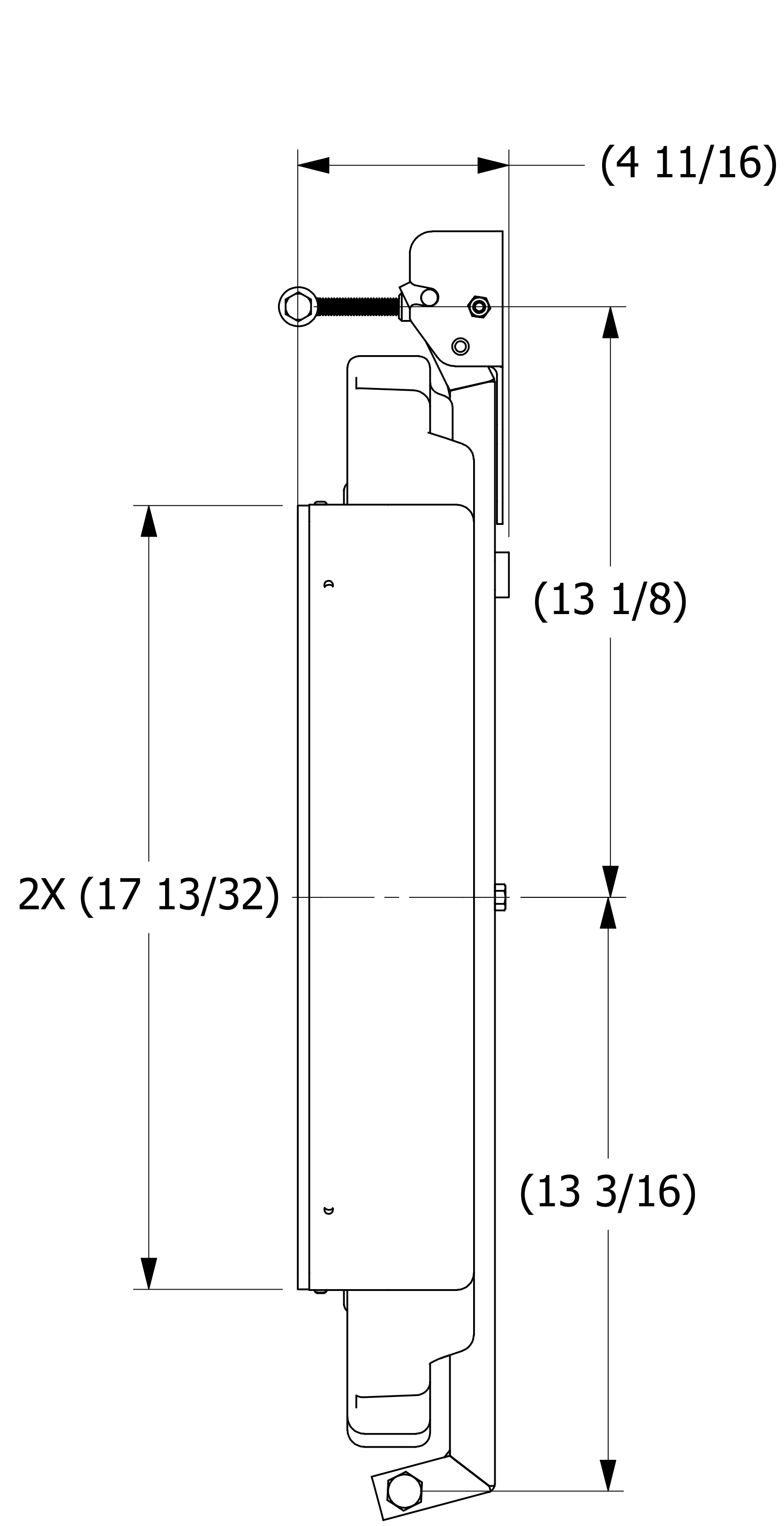
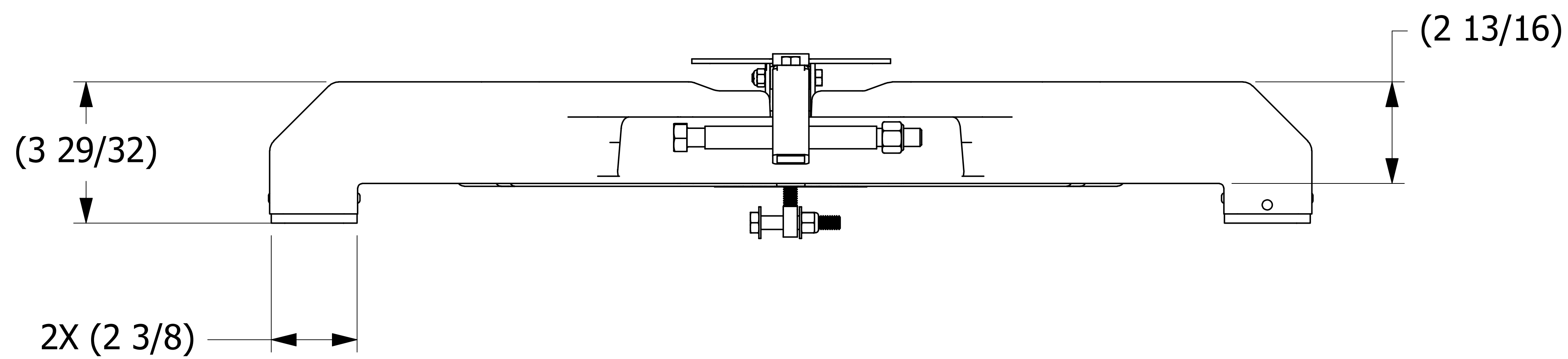


SALES DRAWING SALES DRAWING

SALES DRAWING SALES DRAWING



SECTION A-A  
SCALE 1:1



A	WEB	5-28-14	RELEASED FOR PRODUCTION
REV	BY	DATE	DESCRIPTION

UNLESS OTHERWISE SPECIFIED DIMENSIONAL TOLERANCES	DRAWN BY:	WEB
FRACTIONAL: ±1/16	CHECKED BY:	CHL
X.XX: ±.03	PROTOTYPE BY:	WEB
X.XXX: ±.015	PROTOTYPE DATE:	5/20/2014
ANGULAR: ±1°	APPROVED FOR PRODUCTION BY:	WEB
THIRD ANGLE PROJECTION	PRODUCTION DATE:	5/28/2014

<b>SALCO PRODUCTS, INC.</b>		
PART NAME: <b>VENTED HATCH COVER 20"</b>		
MATERIAL: <b>HDPE/SS</b>		
PROJECT #: <b>140212T</b>	SHEET #: <b>1 OF 1</b>	SCALE: <b>1:2</b>
DRAWING #: <b>E39086</b>	PART #: <b>VHCS98NSCB</b>	

THIS PRINT, PROPERTY OF SALCO PRODUCTS INC. CONTAINS PROPRIETARY INFORMATION AND MUST NOT BE COPIED, REPRODUCED, OR USED DETRIMENTALLY TO OUR INTEREST.

